



# HDC514 UHDC514

HEAVY DUTY COMPACT  
1 4 0 0 W A T T S



## Compact, Flexible, Powerful Value

- ◆ Multiple quantity pad for simple, consistent operation
- ◆ Durable, easy to clean stainless steel construction
- ◆ Rugged door and handle design

ISO•9001



**Amana**  
HIGH PERFORMANCE HAS A NAME™

# HDC514/UHDC514

## 1400 WATTS

### Scaled To Meet Medium To High Volume Demands

- ◆ Compact, rugged and powerful for use in the most demanding food-service location. Ovens are stackable.
- ◆ Programmable selection of 100 of your most popular menu items. Pads can be preset by power level and time for fast, consistent operation.
- ◆ X2 multiple quantity pad simplifies operation and training and improves product consistency when preparing more than one order at a time.
- ◆ 11 power levels, from full power to hold, provide maximum flexibility for heating a wide variety of food items from frozen to fresh.
- ◆ Few moving parts, a solid die-cast handle and individual double-spring interlocks define a door designed to endure heavy use for years to come.
- ◆ Single board controls are both recessed and sealed to virtually eliminate risk of corruption by grease and steam.
- ◆ Ample 17 liter interior is large enough to accommodate a standard half pan.
- ◆ Fully trained and factory authorized service contractors around the world are ready to assist if needed.

#### Model HDC514 and Model UHDC514 Heavy Duty Compact Microwave Ovens

Cabinet	Exterior Dimensions mm (in)	Usable Interior Dimensions mm (in)
Height	335 (13 3/16")	175 (6 7/8")
Width	423 (16 5/8")	331 (13")
Depth (overall)	548 (21 9/16")	305 (12")
Depth (door open 90°)	928 (36 1/2")	
Usable Cavity Space (cubic feet)		17 liters (0.6)

#### Electrical Characteristics

Output Power (watts nominal)*	1,400
Power Required	230/50 Hz
Watt Input	2,300 watts
Frequency	2,450 MHz
Power Cord (ft)	1.68 m (5'6")

#### Plug Configuration

HDC514 CEE 7/7 "Schuko"; 16A



UHDC514 BS 1363A; 13A

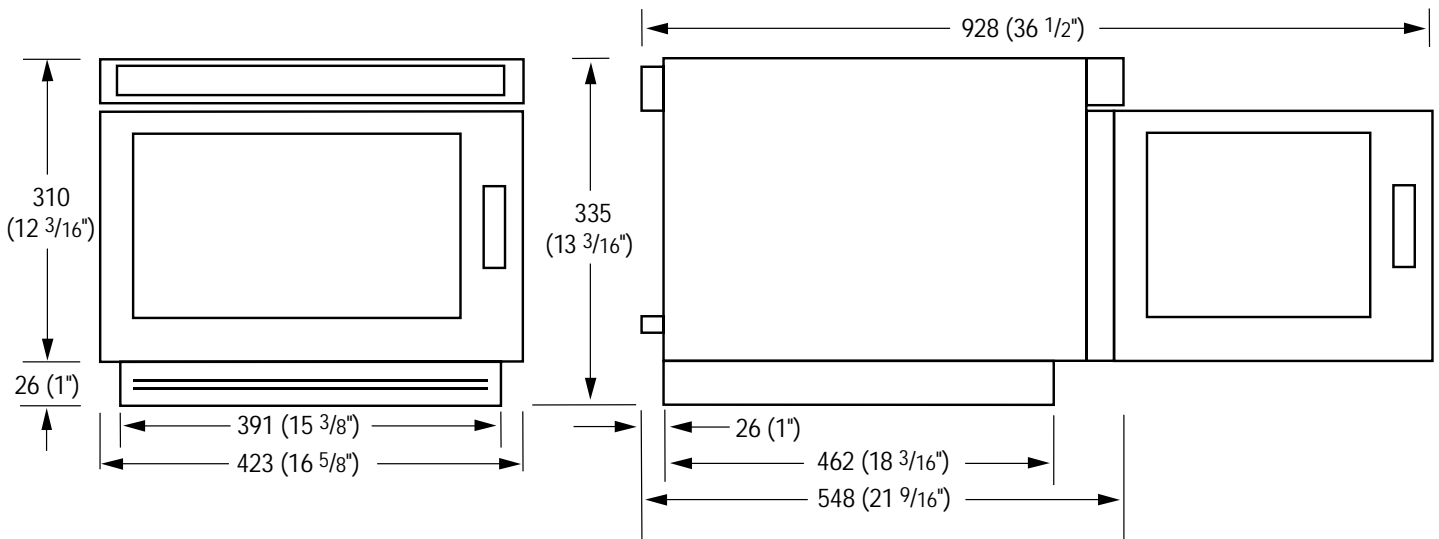


#### Weight

Approximate Shipping (lb) 31 kg (68)

Amana's continuing commitment to quality products may mean a change in specifications without notice.

\* Microwave output power ratings based on IEC 705 test.





# HDC518 UHDC518

HEAVY DUTY COMPACT  
1 8 0 0 W A T T S



## The Maximum Combination Of Power And Compact Size

- ◆ Multiple quantity pad for simple, consistent operation
- ◆ Durable, easy to clean stainless steel construction
- ◆ Rugged door and handle design

ISO•9001



**Amana**  
HIGH PERFORMANCE HAS A NAME™



# HDC518/UHDC518 1800 WATTS

## A Perfect Fit For High Volume, Commercial Operations

- ◆ Compact, rugged and powerful for use in the most demanding food-service location. Ovens are stackable.
- ◆ Programmable selection of 100 of your most popular menu items. Pads can be preset by power level and time for fast, consistent operation.
- ◆ X2 multiple quantity pad simplifies operation and training and improves product consistency when preparing more than one order at a time.
- ◆ 11 power levels, from full power to hold, provide maximum flexibility for heating a wide variety of food items from frozen to fresh.
- ◆ Few moving parts, a solid die-cast handle and individual double-spring interlocks define a door designed to endure heavy use for years to come.
- ◆ Single board controls are both recessed and sealed to virtually eliminate risk of corruption by grease and steam.
- ◆ Ample 17 liter interior is large enough to accommodate a standard half pan.
- ◆ Fully trained and factory authorized service contractors around the world are ready to assist if needed.

### Model HDC518 and Model UHDC518 Heavy Duty Compact Microwave Ovens

Cabinet	Exterior Dimensions mm (in)	Usable Interior Dimensions mm (in)
Height	335 (13 3/16")	175 (6 7/8")
Width	423 (16 5/8")	331 (13")
Depth (overall)	564 (22 3/16")	305 (12")
Depth (door open 90°)	943 (37 1/8")	
Usable Cavity Space (cubic feet)		17 liters (0.6)

### Electrical Characteristics

Output Power (watts nominal)*	1,800
Power Required	230/50 Hz
Watt Input	2,900 watts
Frequency	2,450 MHz
Power Cord (ft)	1.68 m (5'6")

### Plug Configuration

HDC518 CEE 7/7 "Schuko"; 16A



UHDC518 BS 1363A; 13A



### Weight

Approximate Shipping (lb) 31 kg (68)

Amana's continuing commitment to quality products may mean a change in specifications without notice.

\* Microwave output power ratings based on IEC 705 test.

